

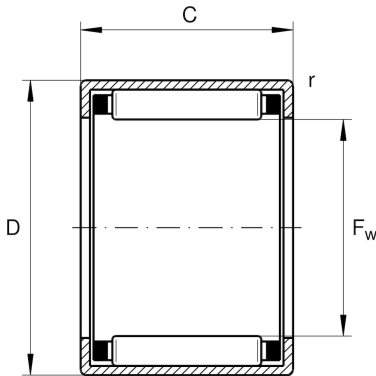
HK1816-AS1-B

Drawn cup needle roller bearing open end

Schaeffler ID:
0000606310000

Drawn cup needle roller bearing open end
HK...AS1-B, single row, with cage

Technical information



Main Dimensions & Performance Data

F_w	18 mm	Under roller diameter
D	24 mm	Outside diameter
C	16 mm	Width
C_r	11.600 N	Basic dynamic load rating, radial
C_{0r}	17.300 N	Basic static load rating, radial
C_{ur}	2.180 N	Fatigue load limit, radial
n_G	14.000 1/min	Limiting speed
$n_{G \text{ Grease}}$	8.400 1/min	Limiting speed for grease lubrication
n_{gr}	10.400 1/min	Reference speed
	15,535 g	Weight

Dimensions

r_{\min}	0,8 mm	Minimum chamfer dimension
------------	--------	---------------------------

Temperature range

T_{\min}	-30 °C	Operating temperature min.
T_{\max}	140 °C	Operating temperature max.

Additional information

	SD18X24X3	Sealing ring
	G18X24X3	Sealing ring 2
	LR15X18X16,5	Suitable inner rings LR
	IR15X18X16-XL	Suitable inner rings IR